

A Complete Family Of High Quality/ Low Cost Fixed Vacuum Capacitors

COST REDUCED

With the addition of the CKTI Series Fixed Vacuum Capacitor, Jennings now offers a full family of commercial capacitors for use in induction heating, dielectric heating and transmitter applications. To better serve our valued customers, Jennings has reduced costs, without compromising quality, by producing them offshore.

QUALITY GUARANTEED

All Vacuum Capacitors are fully inspected for adherence to design ratings under stringent quality control procedures at the Jennings California manufacturing facility. Shipped with Jennings' traditional commitment to quality, all capacitors are warranted to be free of defects for three years from purchase date.

FIFTY-YEARS OF LEADERSHIP

Jennings is known world-wide as the leader in high power vacuum technology as well as for its commitment to quality and service. Jennings' expertise in the application of high vacuum technology to components such as capacitors, relays, interrupters and contactors spans a half-century.

The Jennings family of Fixed Vacuum Capacitors feature:

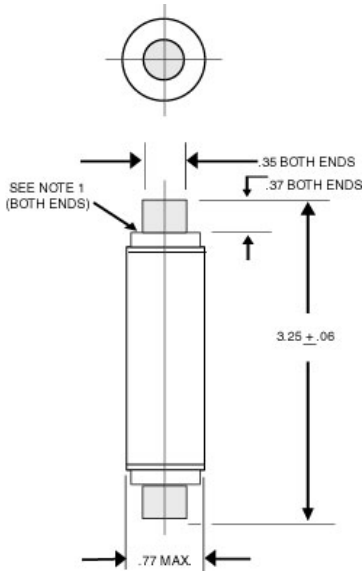
- High-current operation**
- All ceramic construction**
- Low loss materials**

WARRANTY

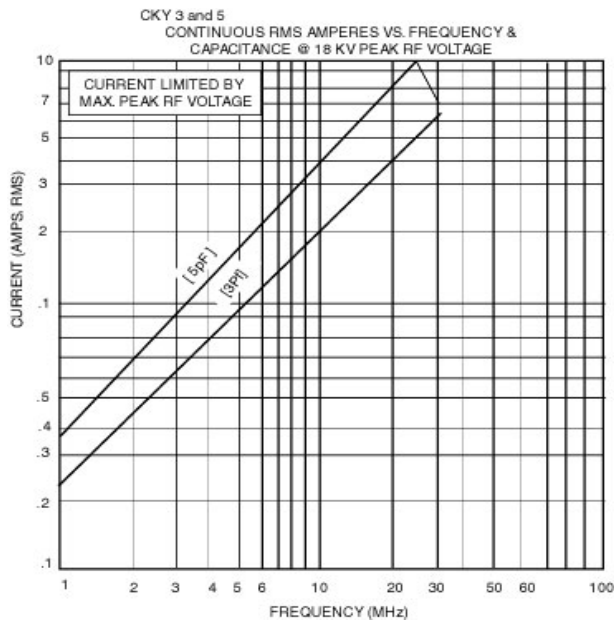
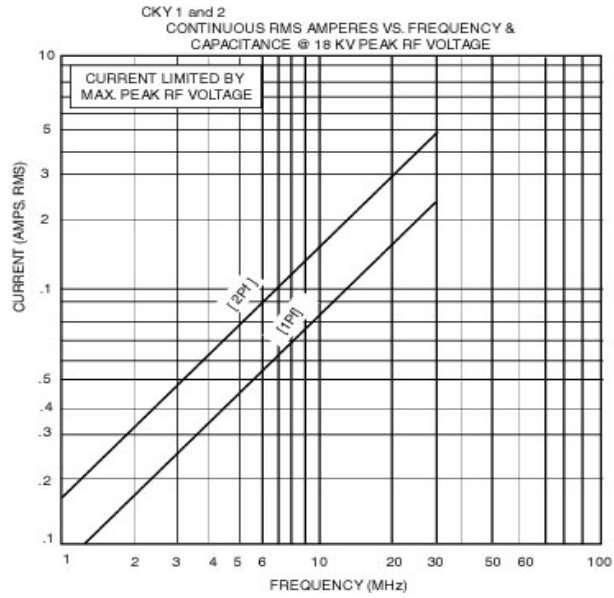
Jennings warrants that, at the time of shipment, the products manufactured by Jennings and sold hereunder will be free from defects in material and workmanship and will conform to the specifications furnished by or approved, in writing, by Jennings.



CKY Series Fixed Vacuum Capacitor



NOTE 1: Tubulation Cover Must Be Permanently Affixed and Flush with Plate.
SHADED AREAS INDICATE MOUNTING SURFACES



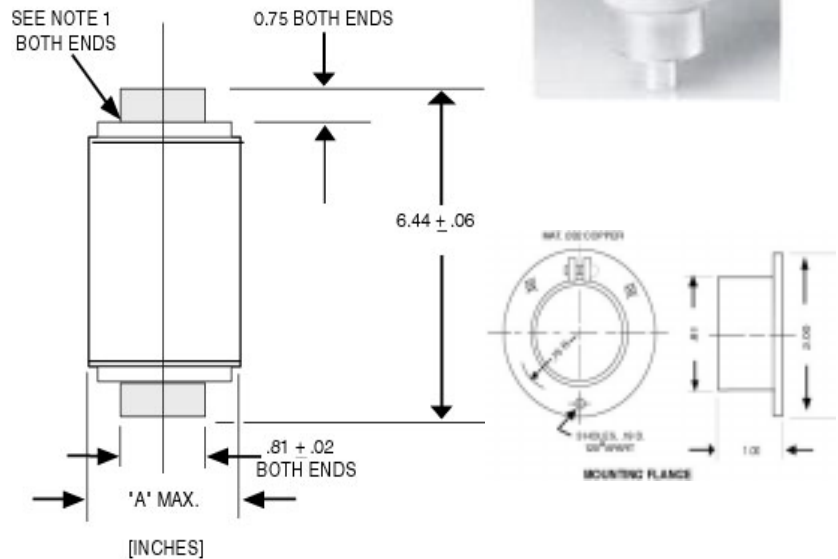
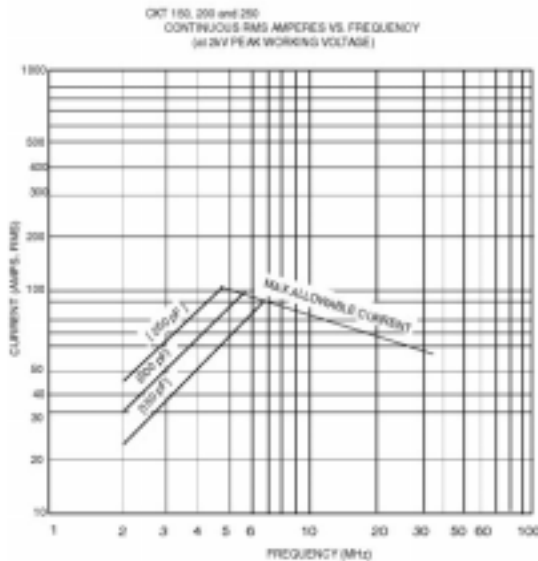
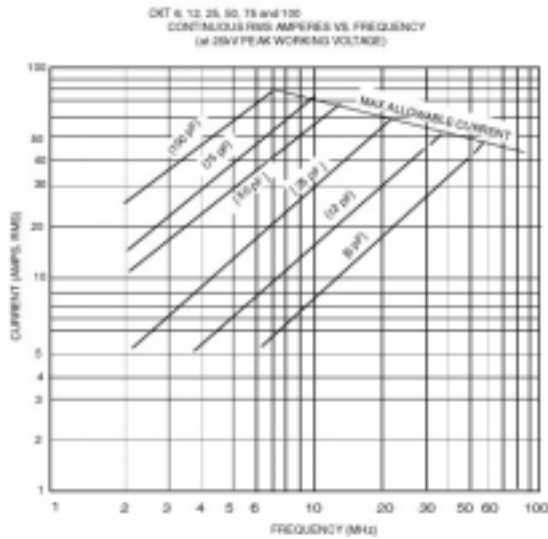
Model Number	Capacity (pF) (+ 10)	Voltage kV		Current Amps (RMS) Max.	Type	Nominal Dimensions		Weight Nominal
		Peak Testing	Working			Length (in./mm.)	Diam. (in./mm.)	
CY 1-25S	1.0*	25	15	7.0	C	3.25 / 82.55	.77 / 19.56	2 oz.
CY 1-30S	1.0*	30	18.0	8.0	C	3.25 / 82.55	.77 / 19.56	2 oz.
CY 2-25S	2.0*	25	15.0	8.0	C	3.25 / 82.55	.77 / 19.56	2 oz.
CY 2-30S	2.0*	30	18	9.0	C	3.25 / 82.55	.77 / 19.56	2 oz.
CY 3-25S	3.0*	25	15.0	9.0	C	3.25 / 82.55	.77 / 19.56	2 oz.
CY 3-30S	3.0*	30	18.0	10.0	C	3.25 / 82.55	.77 / 19.56	2 oz.
CY 5-25S	5.0*	25	15.0	11.0	C	3.25 / 82.55	.77 / 19.56	2 oz.
CY 5-30S	5	30	18.0	12.0	C	3.25 / 82.55	.77 / 19.56	2 oz.
CY 10-17S	10.0*	17	11.0	10.0	C	3.25 / 82.55	.77 / 19.56	2 oz.

Notes:

Mounting: Use Jennings No. 104277 Fuse Clip

* + .5% pF

CKT Series Fixed Vacuum Capacitor



NOTE 1: Tubulation Cover Must Be Permanently Affixed and Flush with Plate.
SHADED AREAS INDICATE MOUNTING SURFACES

SHADED AREAS INDICATE MOUNTING SURFACES

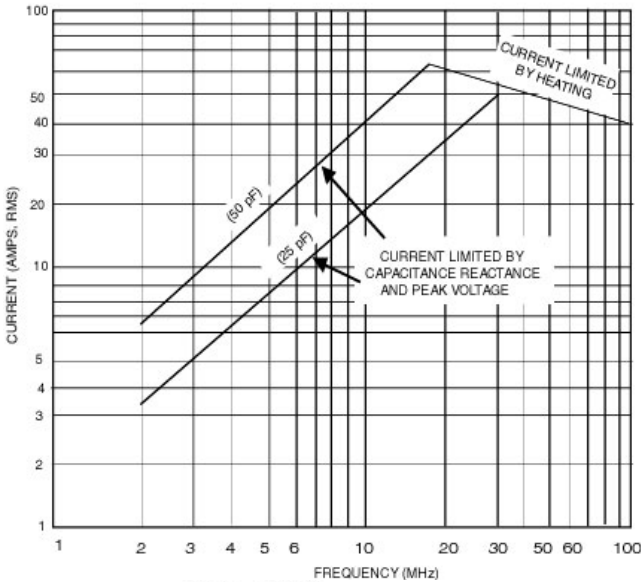
Optional Accessory: Mounting flange FMOA available at extra cost.

Model Number	Capacity (pF) (+ .15)	Voltage kV		Current (RMS) Max.	Type	Nominal Dimensions		Weight Nominal
		Peak Testing	Working			Length / Diam**	Length / Diam**	
CKT-150-0030	150*	30	20	90	C	6.5 / 2.66 MAX.	165.1 / 67.5 MAX.	1 lb. 14 oz.
CKT-200-0030	200*	30	20	95	C	6.5 / 2.66 MAX.	165.1 / 67.5 MAX.	1 lb. 15 oz.
CKT-250-0030	250*	30	20	100	C	6.5 / 2.66 MAX.	165.1 / 67.5 MAX.	2 in.
CKT-6-0035	6	35	25	47	C	6.5 / 2.66 MAX.	165.1 / 67.5 MAX.	1 lb. 6 oz.
CKT-12-0035	12	35	25	52	C	6.5 / 2.66 MAX.	165.1 / 67.5 MAX.	1 lb. 6 oz.
CKT-25-0035	25	35	25	67	C	6.5 / 2.66 MAX.	165.1 / 67.5 MAX.	1 lb. 6 oz.
CKT-50-0035	50	35	25	77	C	6.5 / 2.66 MAX.	165.1 / 67.5 MAX.	1 lb. 6 oz.
CKT-75-0035	75	35	25	82	C	6.5 / 2.66 MAX.	165.1 / 67.5 MAX.	1 lb. 6 oz.

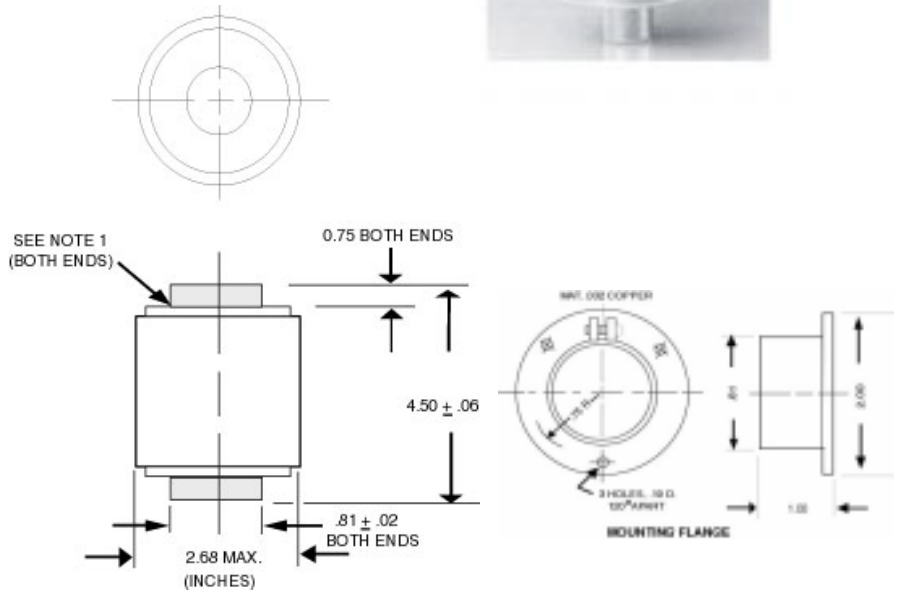
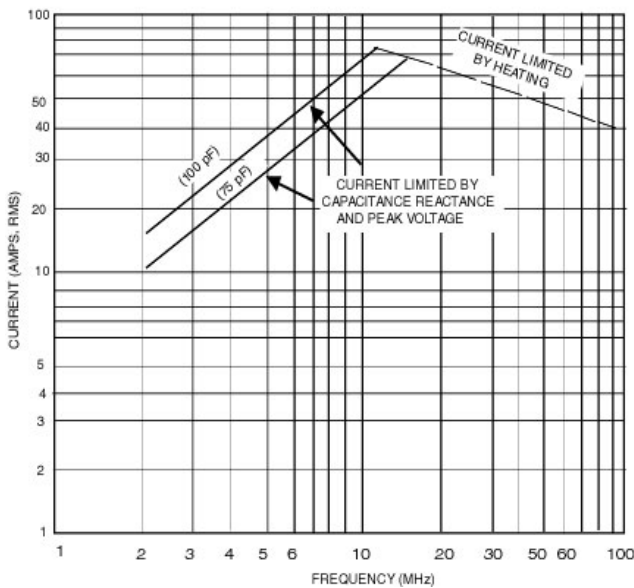
* Capacity Tolerance $\pm 5.0\%$
** "A" MAX.

CKTI Series Fixed Vacuum Capacitor

CKTI-25 and CKTI-50
CONTINUOUS RMS AMPERES VS. FREQUENCY
(at 15kV PEAK WORKING VOLTAGE)



CKTI-75 and CKTI-100
CONTINUOUS RMS AMPERES VS. FREQUENCY
(at 15kV PEAK WORKING VOLTAGE)



NOTE 1: Tubulation Cover Must Be Permanently Affixed and Flush with Plate.
SHADED AREAS INDICATE MOUNTING SURFACES

SHADED AREAS INDICATE MOUNTING SURFACES

Optional Accessory: Mounting flange FMOA available at extra cost.

Model Number	Capacity	Voltage kV		Current		Nominal Dimensions		Weight Nominal
	(pF)	Peak Testing	Working	Amps (RMS)	Max. Type	Length/ Diam	Length/ Diam	
CKTI-25-0025	25 \pm 10%	25	15	50	C	45 / 2.68 MAX.	11.40 / 68.0 MAX.	1 lb. 6 oz.
CKTI-50-0025	50 \pm 10%	25	15	60	C	45 / 2.68 MAX.	11.40 / 68.0 MAX.	1 lb. 6 oz.
CKTI-75-0025	75 \pm 5%	25	15	65	C	45 / 2.68 MAX.	11.40 / 68.0 MAX.	1 lb. 6 oz.
CKTI-100-0025	100 \pm 5%	25	15	70	C	45 / 2.68 MAX.	11.40 / 68.0 MAX.	1 lb. 6 oz.