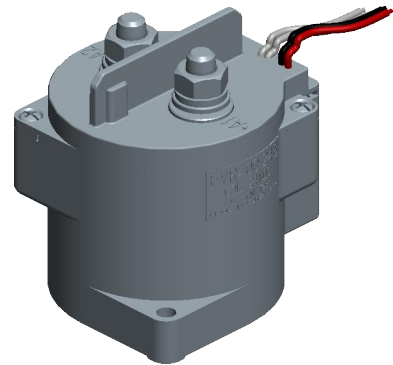
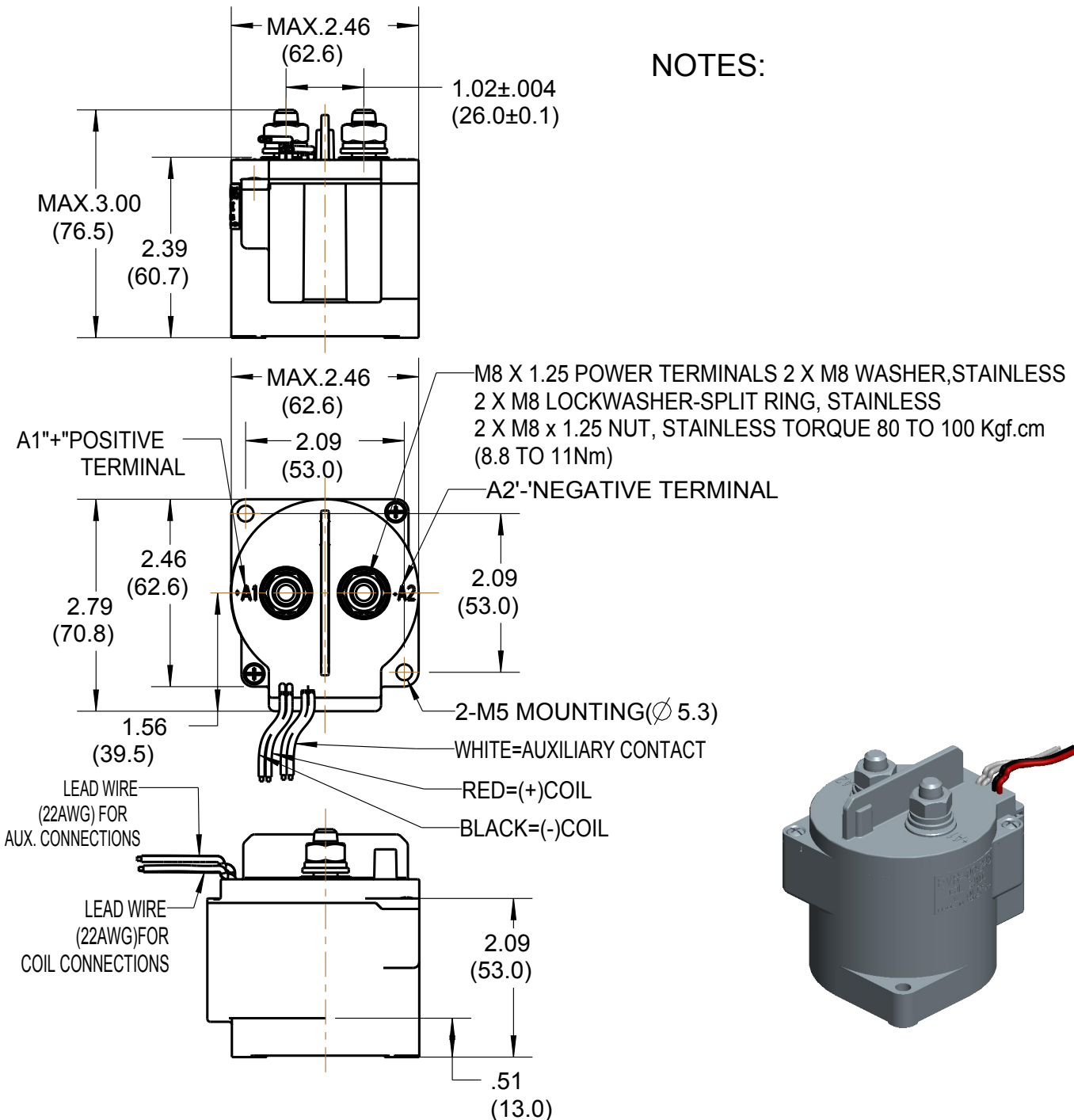


**MAKE & BREAK LOAD SWITCHING
 GAS CHARGE RELAY**

JEV400

NOTES:


UNLESS OTHERWISE SPECIFIED DIMENSIONS ARE IN INCHES		CODE IDENT.NO.	SIZE	DRAWING NO.
			A	JEV400
DECIMALS	ANGLES			
X±.1, X.X ±.05, X.XX±.01	±2°	DATE:12/21/2015	WEIGHT: 23.28 oz	SHEET: 1 OF 3



**MAKE & BREAK LOAD SWITCHING
GAS CHARGE RELAY**

JEV400

MAGNET COIL RATING							
NOMINAL VOLTAGE (V)	ITEM	INRUSH COIL CURRENT 100ms(MAX.)	HOLDING COIL CURRENT (mA)	PICK-UP VOLTAGE (V) MAX.	DROP-OUT VOLTAGE (V) MIN.	HOLDING VOLTAGE (V) MIN.	MAX VOLTAGE (V)
72	72	1.3A	0.045-0.07A	32VDC	18VDC	22VDC	95VDC
	60						
	36						
36	36	3.8A	0.09A	9VDC	6VDC	7.5VDC	36VDC
	24		0.13A				
	12		0.27A				
12		1.2A	0.27A	9VDC	6VDC	7.5VDC	18VDC
24		0.7A	0.2A	18VDC	12VDC	13.5VDC	32VDC

CHARACTERISTICS			
EXPECTED LIFE	MECHANICAL(MIN.)		2x10 ⁶
	ELECTRIC (MIN.) (L/R=<1ms)	450V DC 250A	6x10 ³
		250V DC 250A	1x10 ⁵
		1000V DC 100A	1x10 ⁴
INITIAL INSULATION RESISTANCE		MIN. 100Mohms 500V DC	
INITIAL BREAKDOWN VOLTAGE	BETWEEN OPEN CONTACTS		3500V AC 60 Sec. 5mA
	BETWEEN CONTACT & COIL		3500V AC 60 Sec. 5mA
OPERATE TIME(AT 20C)		MAX. 30ms	
RELEASE TIME(AT 20C)		MAX. 10ms	
SHOCK RESISTANCE	FUNCTIONAL		MIN.196m/s ² {20G}
	DESTRUCTIVE		MIN.490m/s ² {50G}
VIBRATION RESISTANCE	FUNCTIONAL		100m/s ² {20G} 80 to 2000Hz
	DESTRUCTIVE		100m/s ² {20G} 80 to 2000Hz
CONDITIONS FOR OPERATION TRANSPORT AND STORAGE	AMBIENT TEMPERATURE		-40C to +85C
	HUMIDITY		5 to 85% R.H.
UNIT WEIGHT		660g	

UNLESS OTHERWISE SPECIFIED DIMENSIONS ARE IN INCHES		CODE IDENT.NO.	SIZE A	DRAWING NO. JEV400
DECIMALS	ANGLES			
X±.1, X.X ±.05, X.XX±.01	±2°	DATE:12/21/2015	WEIGHT: 23.28 oz	SHEET: 2 OF 3



REV	A
-----	---

**MAKE & BREAK LOAD SWITCHING
GAS CHARGE RELAY**

JEV400

CONTACT RATING	
ITEM	1 POLE RESISTIVE LOAD (L/R=<1ms)
MAX. CONTINUOUS CURRENT (WIRE SIZE 150mm ²)	500A
MAX. SWITCHING CURRENT	450V DC 400A
	1200V DC 80A
	1000V DC 90A
	1000V DC 100A
CONTACT RATING SWITCHING VOLTAGES	12-1200VDC
MAX. CUT-OFF CURRENT	300VDC 2500A 3 Ops
C-R LOAD (CHARGING)	500V 1500A 4,000 Ops / 500VDC 500A 30,000 Ops
VOLTAGE DROP ACROSS CONTACTS PER 100A	30mV Max.
MIN. PERMISSIBLE LOAD	12V DC 0.5A
DESCRIPTION	S.P On/Off (a)
CONTACT ARRANGEMENT, AUXILIARY CONTACTS	1Form A (SPST-NO.)
GENERAL AUX. CONTACT CURRENT, MAX.	2A 30VDC / 3A 125VAC
GENERAL AUX. CONTACT CURRENT, MIN.	100mA 8VDC
GOLD ALLOW AUX. CONTACTS MAX.	0.1A 30VDC / 0.1A 30VAC
GOLD ALLOW AUX. CONTACTS MIN.	1mA 5VDC / 1mA 5VAC

UNLESS OTHERWISE SPECIFIED DIMENSIONS ARE IN INCHES		CODE IDENT.NO.	SIZE	DRAWING NO.
DECIMALS	ANGLES		A	JEV400
X±.1, X.X ±.05, X.XX±.01	±2°	DATE:12/21/2015	WEIGHT: 23.28 oz	SHEET: 3 OF 3