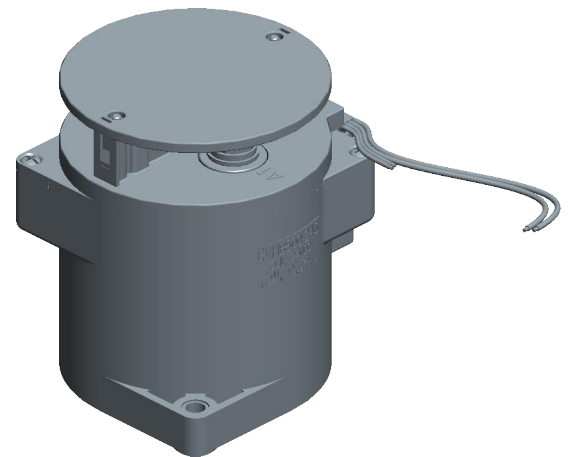
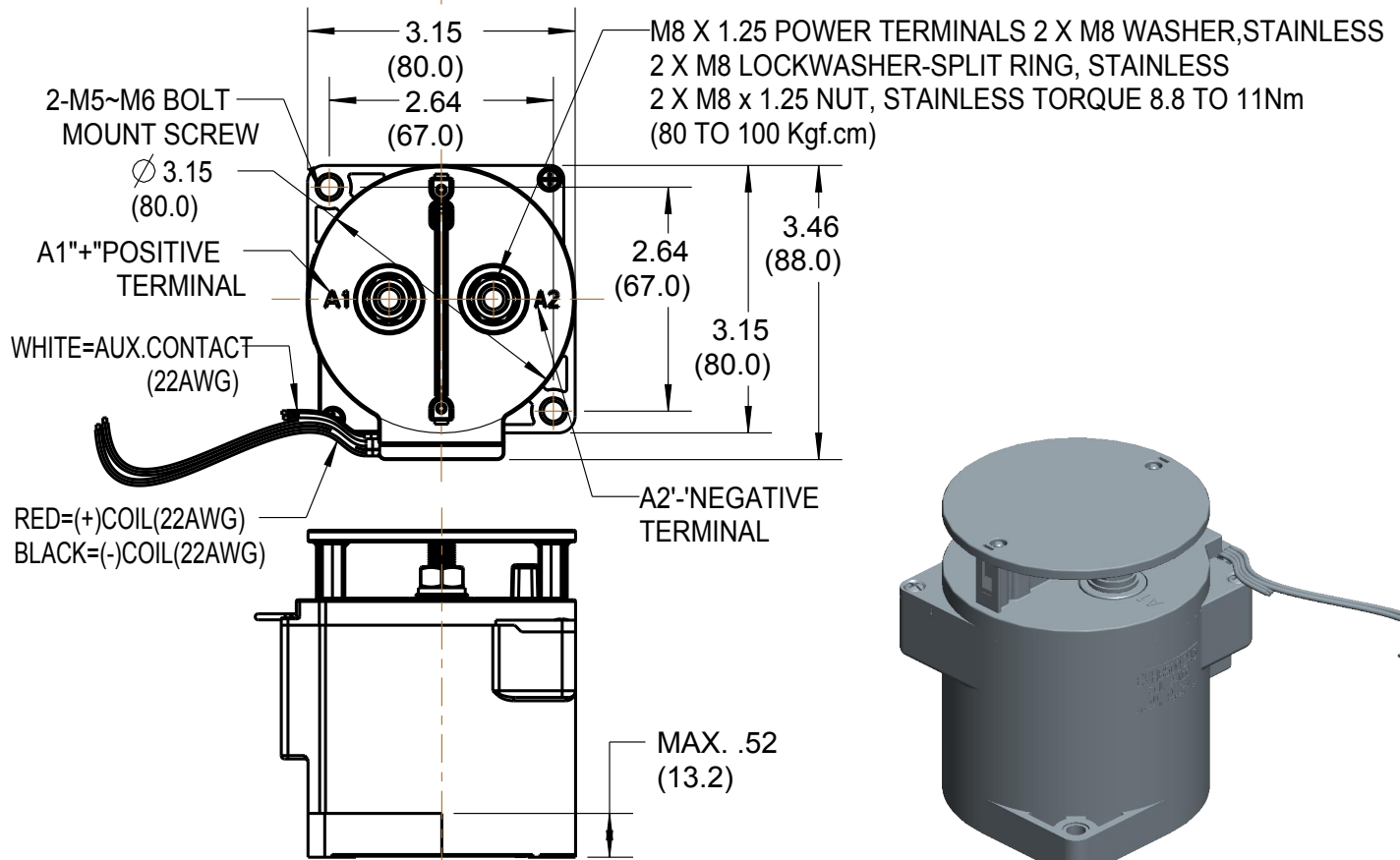
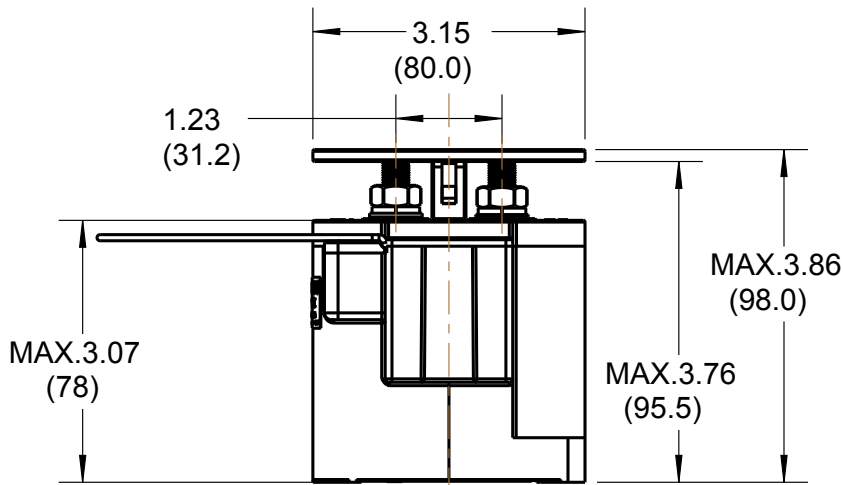


**MAKE & BREAK LOAD SWITCHING  
 GAS CHARGE RELAY**

# JEVB500

**NOTES:**


UNLESS OTHERWISE SPECIFIED DIMENSIONS ARE IN INCHES		CODE IDENT.NO.	SIZE	DRAWING NO.
			A	JEVB500
DECIMALS	ANGLES			
X±.1, X.X ±.05, X.XX±.01	±2°	DATE:12/21/2015	WEIGHT: 42.33oz	SHEET: 1 OF 3



**MAKE & BREAK LOAD SWITCHING  
GAS CHARGE RELAY**

**JEVB500**

**MAGNET COIL RATING**

NOMINAL VOLTAGE (V)	ITEM	INRUSH COIL CURRENT 100ms (MAX.)	HOLDING COIL CURRENT (mA)	PICK-UP VOLTAGE (V) MAX.	DROP-OUT VOLTAGE (V) MIN.	HOLDING VOLTAGE (V) MIN.	MAX VOLTAGE (V)
72	72	1.3A	0.045-0.07A	32VDC	18VDC	22VDC	95VDC
	60						
	36						
36	36	3.8A	0.09A	9VDC	6VDC	7.5VDC	36VDC
	24		0.13A				
	12		0.27A				
12		1.5A	0.35A	9VDC	6VDC	7.5VDC	18VDC
24		0.7A	0.20A	18VDC	12VDC	13.5VDC	32VDC

**CHARACTERISTICS**

EXPECTED LIFE	MECHANICAL (MIN.)		2x10 <sup>6</sup>
	ELECTRIC (MIN.) (L/R=<1ms)	750V DC(+),(-) 500A	1x10 <sup>3</sup>
		1000V DC(+),(-) 300A	1x10 <sup>3</sup>
		1500V DC(+),(-) 100A	1x10 <sup>3</sup>
INITIAL INSULATION RESISTANCE		MIN. 100Mohms 500V DC	
INITIAL BREAKDOWN VOLTAGE	BETWEEN OPEN CONTACTS		4500V AC 60SEC. 5mA
	BETWEEN CONTACTS & COIL		4500V AC 60SEC. 5mA
OPERATE TIME (AT 20C)			MAX. 40ms
RELEASE TIME (AT 20C)			MAX. 10ms
SHOCK RESISTANCE	FUNCTIONAL		MIN. 196m/s <sup>2</sup> {20G}
	DESTRUCTIVE		MIN. 490m/s <sup>2</sup> {50G}
VIBRATION RESISTANCE	FUNCTIONAL		100m/s <sup>2</sup> {20G} 80 TO 2000Hz
	DESTRUCTIVE		100m/s <sup>2</sup> {20G} 80 TO 2000Hz
CONDITIONS FOR OPERATION TRANSPORT AND STORAGE	AMBIENT TEMPERATURE		-40C TO +85C
	HUMIDITY		5 TO 85% R.H.
UNIT WEIGHT			1200g

UNLESS OTHERWISE SPECIFIED DIMENSIONS ARE IN INCHES	CODE IDENT.NO.		SIZE	DRAWING NO.
			A	JEVB500
DECIMALS	ANGLES	DATE:12/21/2015		WEIGHT: 42.33oz
X±.1, X.X ±.05, X.XX±.01	±2°			SHEET: 2 OF 3

## MAKE & BREAK LOAD SWITCHING GAS CHARGE RELAY

CONTACT RATING	
ITEM	1 POLE RESISTIVE LOAD (L/R=<1ms)
MAX. CONTINUOUS CURRENT (WIRE SIZE 325mm <sup>2</sup> )	500A
MAX. SWITCHING CURRENT	750V DC 500A
	1000V DC 300A
	1500V DC 100A
CONTACT RATING SWITCHING VOLTAGES	12-1500V DC 100A
VOLTAGE DROP ACROSS CONTACTS PER 100A	300mV MAX.
MIN. PERMISSIBLE LOAD	12V DC 0.5A
DESCRIPTION	S.P ON/OFF (A)
CONTACT ARRANGEMENT, AUXILIARY CONTACTS	1FORM A (SPST-NO.)
GENERAL AUX. CONTACT CURRENT,MAX.	2A 30VDC/3A 125VAC
GENERAL AUX. CONTACT CURRENT,MIN.	100mA 8VDC
GOLD ALLOW AUX. CONTACTS MAX.	0.1A 30VDC/ 0.1A 30VAC
GOLD ALLOW AUX. CONTACTS MIN.	1mA 5VDC/ 1mA 5VAC

UNLESS OTHERWISE SPECIFIED DIMENSIONS ARE IN INCHES

**CODE IDENT.NO.**

**SIZE**

**DRAWING NO.**

**A**

**JEVB500**

DECIMALS

ANGLES

X±.1, X.X ±.05,  
X.XX±.01

±2°

DATE:12/21/2015

WEIGHT: 42.33oz

SHEET: 3 OF 3