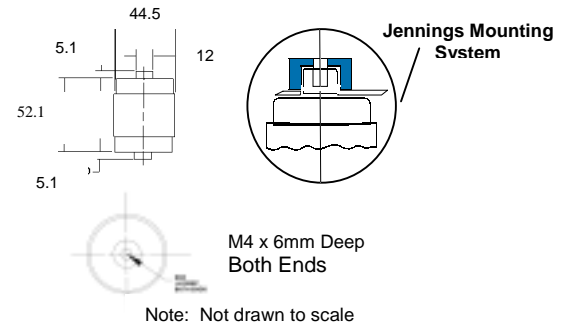
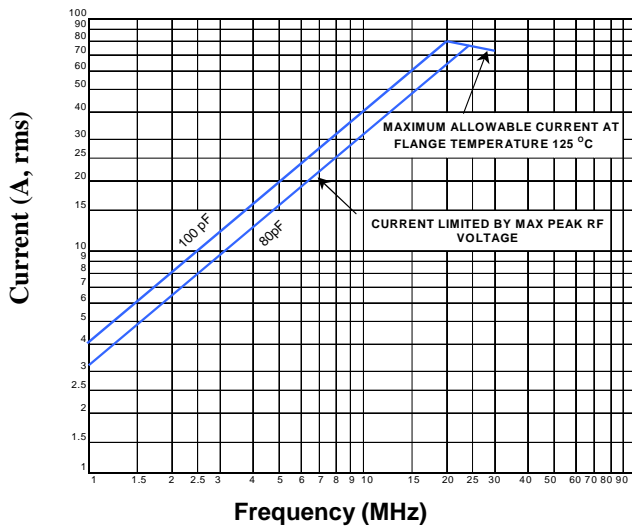


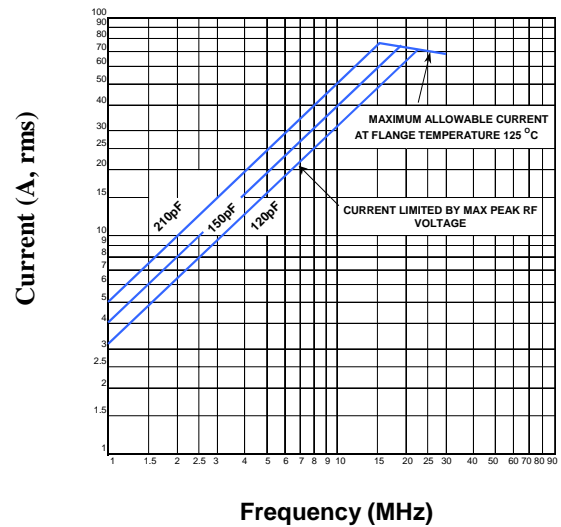
Model Number	CF1-80-0015	CF1-100-0015	CF1-120-0010	CF1-150-0010	CF1-210-0009
Capacitance (pF) ±5%	80	100	120	150	210
Peak Working Voltage (kV)	9	9	6	6	5.4
Peak Testing Voltage (kV)	15	15	10	10	9
Max Current (A rms)	76	80	71	75	76
Length inches (mm)	2.45 (62.3)	2.45 (62.3)	2.45 (62.3)	2.45 (62.3)	2.45 (62.3)
Diameter inches (mm)	1.75 (44.5)	1.75 (44.5)	1.75 (44.5)	1.75 (44.5)	1.75 (44.5)



RF Test Data



CONTINUOUS CURRENT VS. FREQUENCY
@ 9kV PEAK RF WORKING VOLTAGE FOR 80 &
100 pF UNITS



CONTINUES CURRENT VS. FREQUENCY @ 6
Kv PEAK RF WORKING VOLTAGE for 120&
150 Pf UNITS @ 5.4Kv PEAK RF WORKING
VOLTAGE for 210Pf UNITS