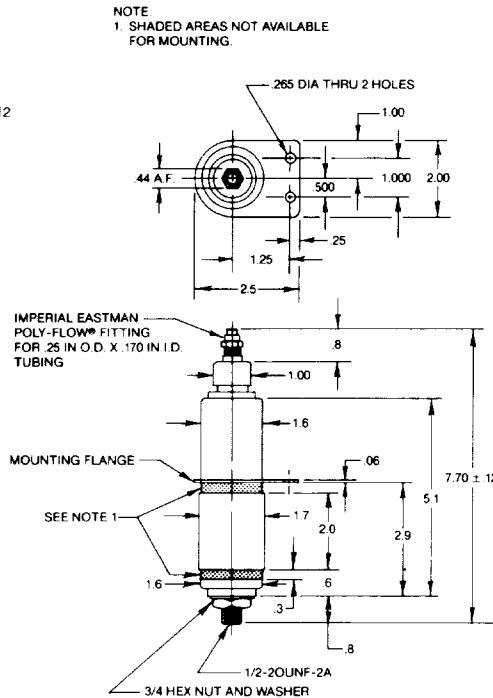


RP233D1585



RF22-D2488



AIR-ACTUATED RF CONTACTORS GENERAL SPECIFICATIONS

MODEL NO.	RP233D1585	RF22-D2488
Operation	Air	Air
Test Voltage Peak kV @ 60 Hz	40	35
Operate Voltage Peak kV @ 32 MHz	25	20
Continuous Current Amps (RMS) @ 32 MHz	35	45
Contact Resistance Max (Milliohms)	0.5	0.75
Contact Capacitance (pF)	2	3
Contact Inductance (Nh)	25	25
Contact Configuration	N/O	N/O
Open Time, Milliseconds	<200	50
Close Time, Milliseconds	<200	100
Actuation	40±5 psig	30psig
Weight	12 oz.	15 oz.
Auxiliary Contact Ratings Volt (RMS) / Current (RMS)	N/A	N/A

Voltage and current rating will be greatly increased at lower frequencies.