



Type SPST (N/O and N/C)



Type SPDT

GENERAL SPECIFICATIONS

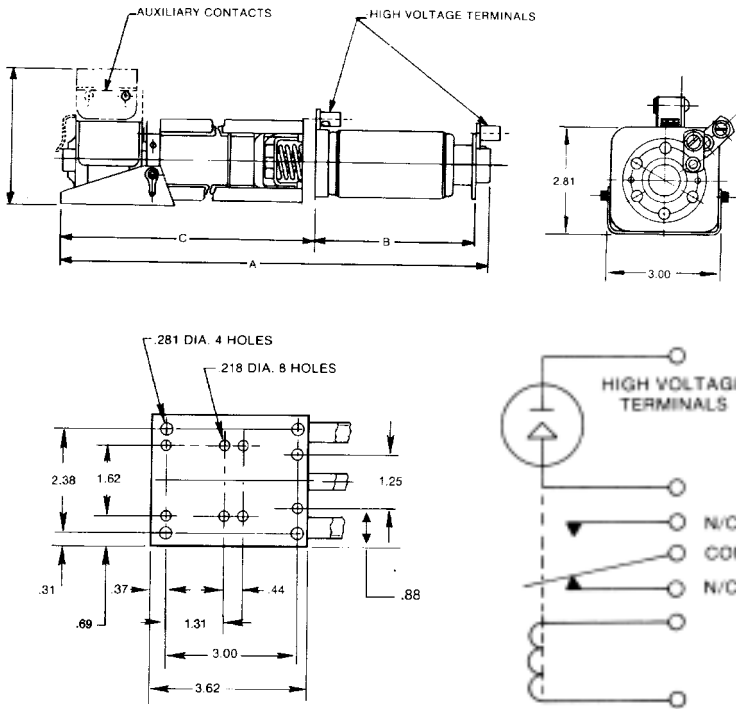
Model Number	Operate Contact Arrangement	Max. Continuous Voltage (kV Peak)	Max. Interrupt Current (Amps)	Capacitor Interrupt AC Current (Amps RMS)	Discharge DC Power (kW)	Approx. Contact Decaying τ in 200 μ s	Contact to Resistance (m Ω Max)	Capacitance (Pf)
RT1G4202C21A10	N/C	20	100	500	100	1000 Amps	3.0	3.5
RT5C4201A21A10	N/O	15	30	100	50	500 Amps	0.01	2.5
RT5C4202A21A10	N/C	15	30	100	50	500 Amps	0.01	2.5
RT1G4201C22A10	N/O	20	100	500	100	1000 Amps	0.01	3.5
RT5C4201A22B10	N/O	15	30	100	50	500 Amps	0.01	2.5
RT8A4201D22A10	N/O	40	100	2000	100	3000 Amps	0.3	2.5
RT8A4202D22A10	N/C	40	100	2000	100	3000 Amps	0.3	2.5
RT1G4401E211310*	SPDT	20	100	500	100	1000 Amps	3.0	3.5
RT8A4401D21B10*	SPDT	40	100	1000	100	3000 Amps	0.3	2.5

*Latching models available. To order, change model numbers 4401 to "4402".

ACTUATOR SPECIFICATIONS

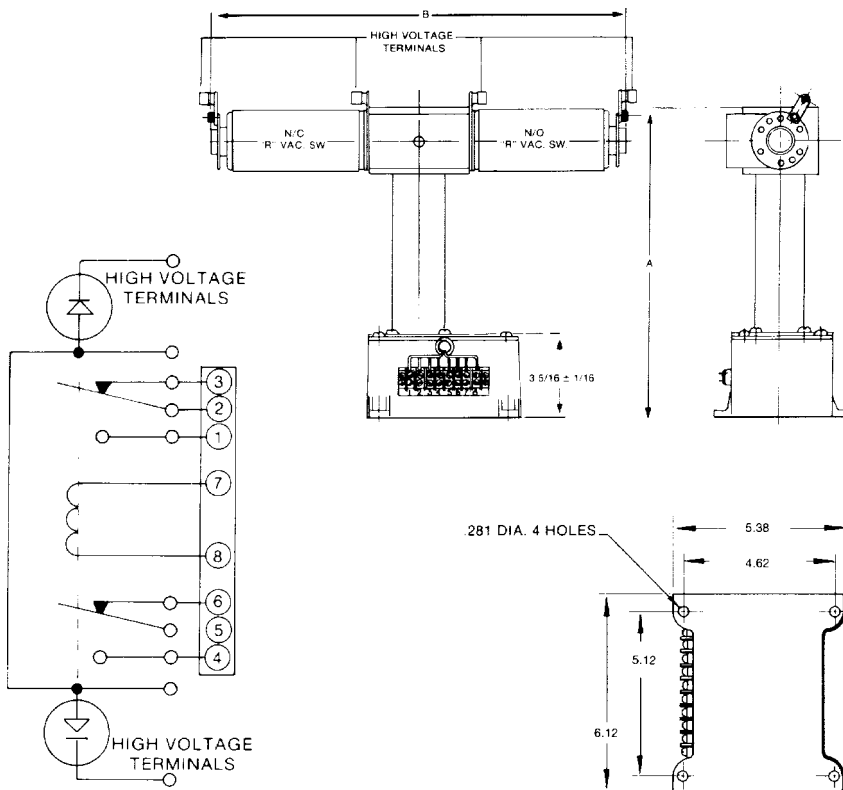
Actuator Voltage (Volts) 50/60 Hz	Pull-in Current (Amps)	Hold Current (Amps)	Hold Power (Watts)	Time to Close (Ms)	Break Time (Ms)	Mech. Life	Weight (Lbs.)	Auxiliary Contacts	Auxiliary Contact (Volts AC RMS)	Auxiliary Contact Current (Amps RMS)
115 VAC	2.5	0.5	17	60	25 30	100,000	2	1 SPDT	115	15
115 VAC	2.5	0.5	17	60	25 30	100,000	3.5	1 SPDT	115	15
230 VAC	1.2	0.2	17	60	25 30	100,000	2	1 SPDT	230	15
230 VAC	1.2	0.2	17	60	25 30	100,000	3.5	1 DPDT	230	15
230 VAC	1.2	0.2	17	60	25 30	100,000	4	1 SPDT	230	15
115 VAC	2.5	0.5	17	60	25	100,000	8	2 SPDT	115	15
115 VAC	2.5	0.5	17	90	90	100,000	10	2 SPDT	115	15

SPST (N/O and N/C) TYPICAL MODEL



	RT1G	RT5C	RT8A
Insulation	4"-55 kV	2"-25 W kV	6"-75 W kV
Dimension A ± 0.19	13.53	8.9	18.91
Dimension B + 0.13	5.0	2.86	8.38
Dimension C ± 0.06	8.03	6.03	10.03

SPDT TYPICAL MODEL



	RT1G	RT8A
Insulation	6"-80 kV	6"-80 kV
Dimension A ± 0.4	14.8	14.8
Dimension B + 0.5	16.2	23.0