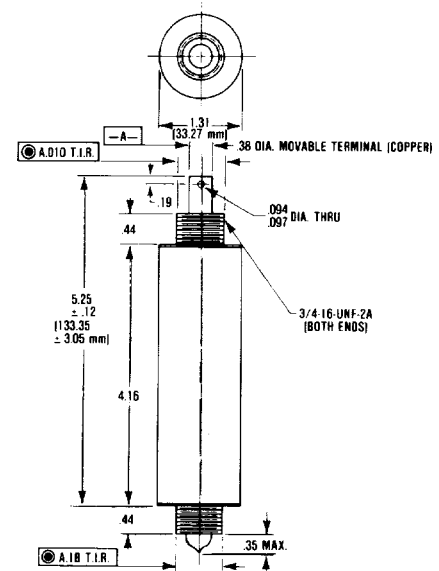


RP233B Specifications

ELECTRICAL RATINGS	
Dielectric Withstand Voltage (50/60 Hz)	40 kV
Voltage Rating	
at 300 kHz	40 kV pk
at 10 MHz	35 kV pk
at 30 MHz	25 kV pk
Current Rating	
at 300 kHz	50 amps rms
at 10 MHz	45 amps rms
at 30 MHz	35 amps rms
Contact Resistance max.	0.5 $\mu\Omega$
Contact Capacitance @ Full Gap max.	2 pF
Terminal to Terminal Inductance max.	25 nH
MECHANICAL DATA	
Switch Weight max.	10 oz.
Contact Stroke	0.13 in.
Force Required for Specified Contact Gap	6 lbs.
Added Contact Force	10 lbs.
Opening Speed nom.	6 @ 0.13 in.
Closing Speed nom.	1 ft./sec.



CAUTION: Application of Dielectric withstand voltage may produce x-radiation. Shielding equivalent to 1.16" of lead is recommended if monitoring equipment is not available.

*These ratings established on the basis of 100°C rise over 21°C ambient temperature and using copper straps of 3 each 1.5" x .010" at movable end and 2 each 1.0" x .025" at fixed end.

NOTES:

1. Avoid twisting movable terminal and excessive opening of contacts to prevent damage to bellows and reduced life.
2. Electrical connections should be made at copper terminals. Compression type fittings are recommended.
3. Interrupter should be mounted at fixed end of stainless steel plate.
4. ALL DIMENSIONS ARE IN INCHES WITH OUTSIDE DIMENSIONS ALSO IN METRIC.