



SPECIFICATIONS

Model Number	RF60	RF61 RF64
Test Voltage (kV Peak) 60 Hz	4	4
Rated Operating Voltage (kV Peak) DC or 60 Hz	3.6	3.6
2.5 MHz	3.6	3.6
16 MHz	3.2	3.2
32 MHz	2.5	2.5
Continuous Current, Carry (Amps, RMS) DC or 60 Hz	12	10
2.5 MHz	10	10
16 MHz	6	6
32 MHz	5	5
Contact Capacitance (pF) Between Open Contacts	1.6	1.6
Open Contacts to Ground	1.6	1.6
Contact Resistance (mΩ)	20	20
Operate Time (ms. Max.)	10	10
Release Time (ms. Max.)	10	10
Pull-in Voltage @ 25° C		
26.5 VDC Coil	16	16
12 VDC Coil	N/A	8
Dropout Voltage @ -55 to 125° C		
26.5 VDC Coil	N/A	1-10
12 VDC Coil	N/A	1-5
Coil Resistance (Ohms ± 10%)		
26.5 VDC Coil	13	290
12 VDC Coil	N/A	48
Shock, 1/2 Sine 11 ms. (Peak g's)	50	50
Vibration, Peak g's 55-2000 Hz	10	10
Expected Mechanical Life Cycles (X10 ⁶)	1	1
Weight, Ounces (Grams) Max.	1 (28)	1 (28)

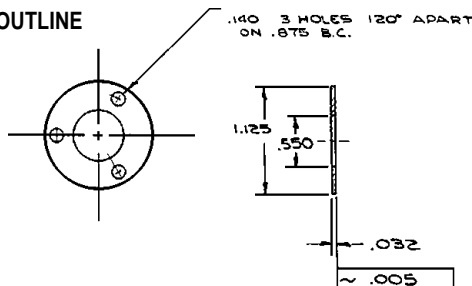
MILITARY CROSS REFERENCE

Model Number	Military Specification	Military Drawing
RF60-26S	MIL-R-83725	M83725/11-001
RF60D-26S	MIL-R-83725	M83725/11-002
RF64-12S	MIL-R-83725	M83725/12-001
RF61-26S	MIL-R-83725	M83725/12-002
RF64D-12S	MIL-R-83725	M83725/12-003
RF61D-26S	MIL-R-83725	M83725/12-004

FLANGE CROSS REFERENCE

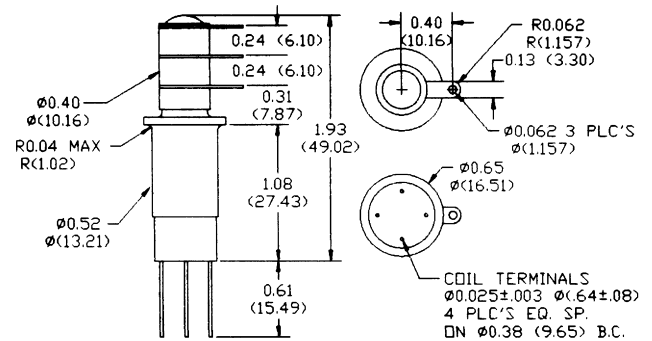
Model Number	Flange Version
RF60-26S	RF60D-26S
RF61-26S	RF61D-26S
RF64-12S	RF64D-12S

FLANGE OUTLINE



RF60-26S

Latching, ground isolated. Ideal for switching in digitally tuned antenna couplers.



RF61-26S

Non-latching version of RF60. Excellent high frequency capability to 76 MHz.

RF64-12S

12 VDC version of RF61.

